

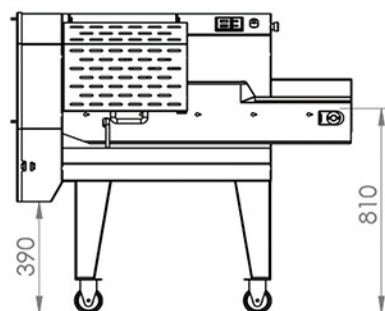
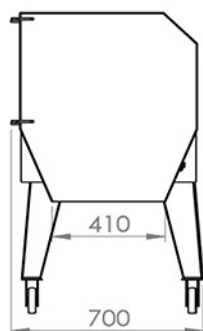
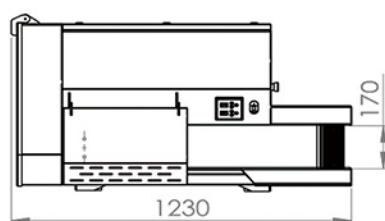
TS-168

Belt Cutting Machine

- An ideal equipment for central kitchen, restaurants, and food processing industry
- Various cutting accessories for a great variety of products



Specifications & Drawings



Length : 1230 mm
Width : 700 mm
Height : 1163 mm
Weight : 193 kg
Infeed Height : 810 mm
Outfeed Height : 390 mm

Power Consumption : 1.87KW
Motor : 2.5HP
Voltage : 220V





Accessories

CONVEYOR BELT

The blue belt meets the requirement of food hygiene, also, it is detachable and easy to be cleaned by water.

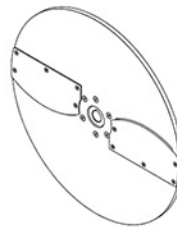


ELECTRONICAL CONTROL PANEL

Allows operator to set for the parameters of knife and conveyor belt speed.



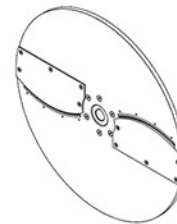
Two Wing Blade
Cut size: 1-30mm



Set Slice Disc of Two Wing Blade
Cut size: 1/2/3/4/5/6/8/10mm



Adjustable Slice Disc
Cut size: 1-25mm



Aluminum Alloy Julienne Disc
Cut size: 2/3/4/5/6/8/10/12mm



Single Blade
Cut Size: 30-60mm



Ripple Disc
Cut Size: 1-3 mm



TAIYI FOOD MACHINERY CO., LTD.

Machine specification and pictures are for reference only and are subject to change without prior notice.